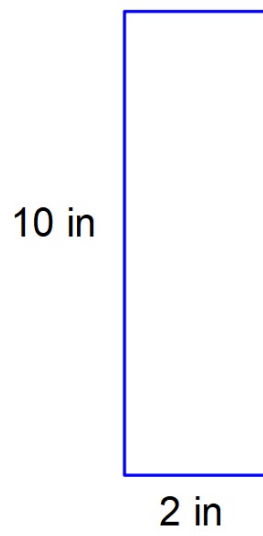


Composite
↑

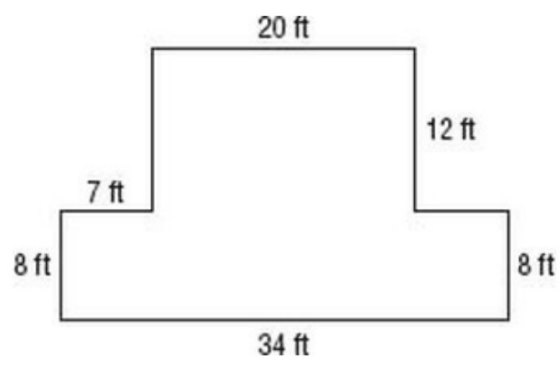
Finding the area and perimeter of compound figures when all side lengths are given

Connect

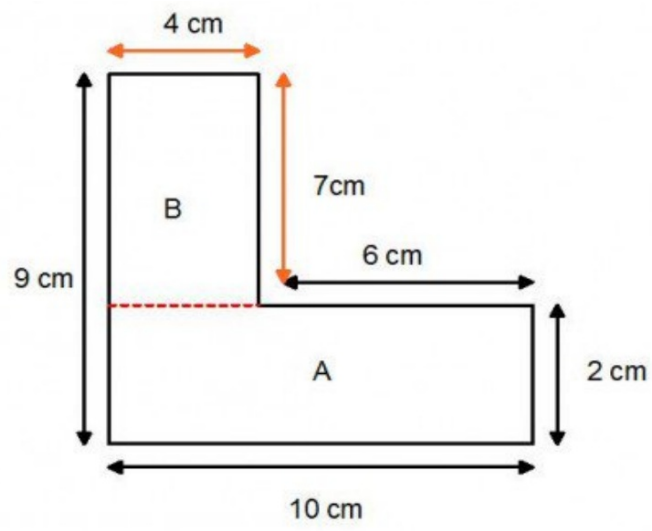
Area and perimeter formulas



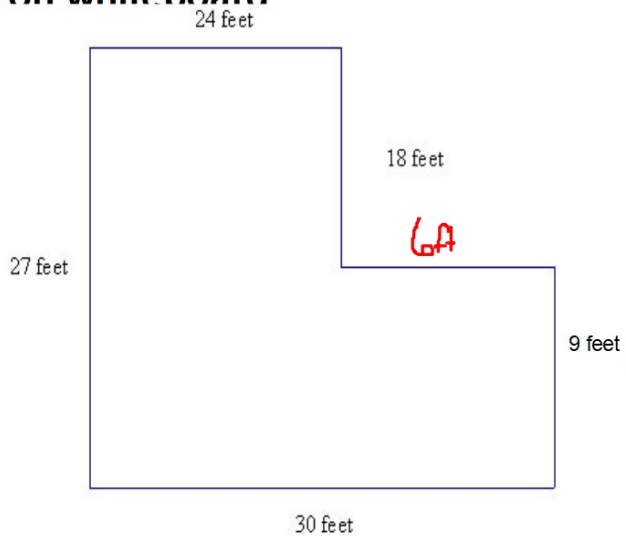
I do



We do



You do together
on whiteboard



You do alone on
index card

